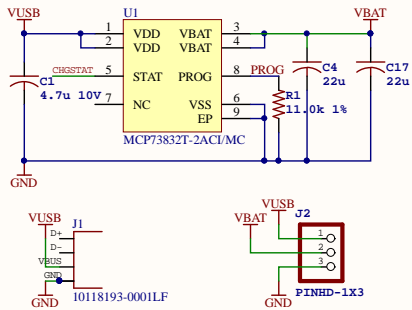
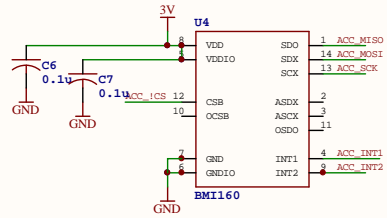


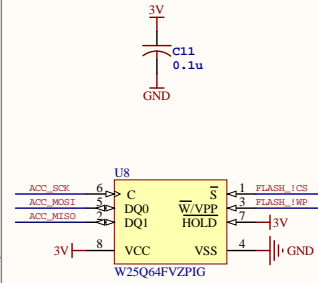
Battery Management



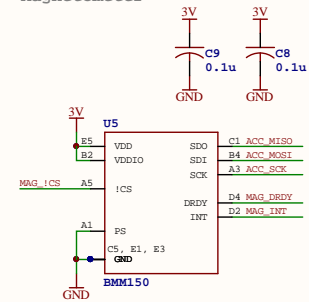
Accelerometer/Gyro



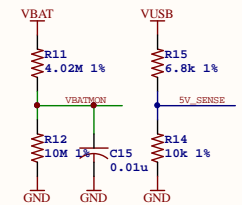
NOR Flash



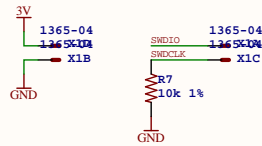
Magnetometer



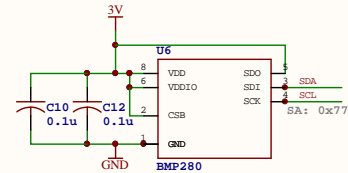
Battery Monitor



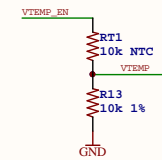
Debug



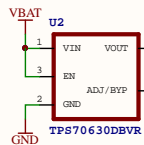
Barometric Pressure



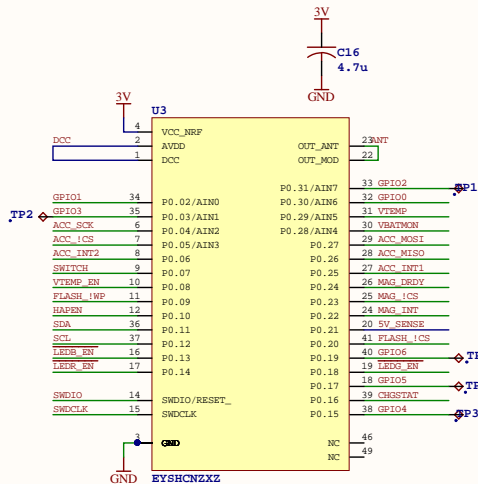
Temperature



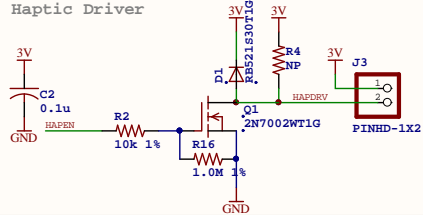
Voltage Regulation



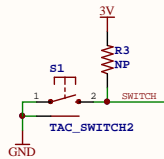
BLE SoC



Haptic Driver

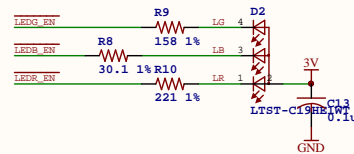


Mechanical Switch

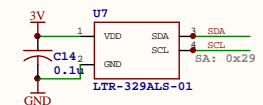


Mechanical

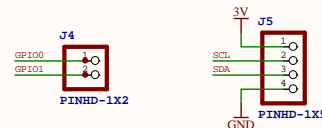
LEDs/Drivers



Ambient Light



Input/Output



MbientLabs 2017

TITLE: MetaMotionR

Document Number:

REV:

Date: 3/9/2017 3:56:23 PM

Sheet: 1

Title	U-2
Size	Number
Date:	5/6/2020
File:	C:\Users\...metamotion.SchDoc
Sheet of	Drawn By: